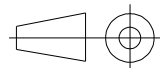
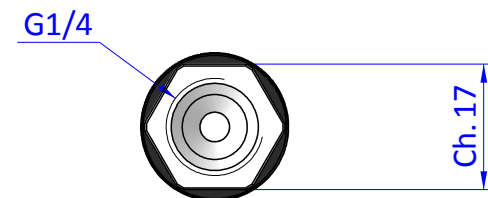
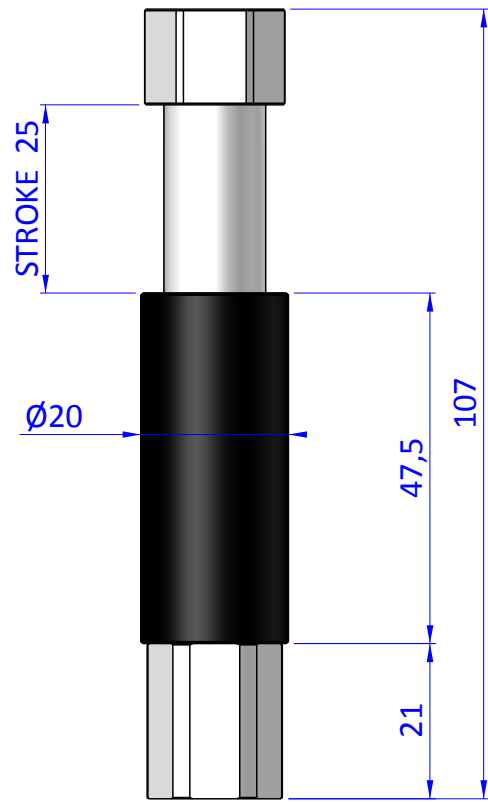
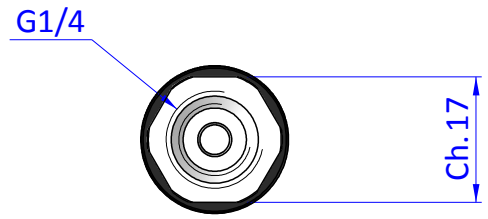
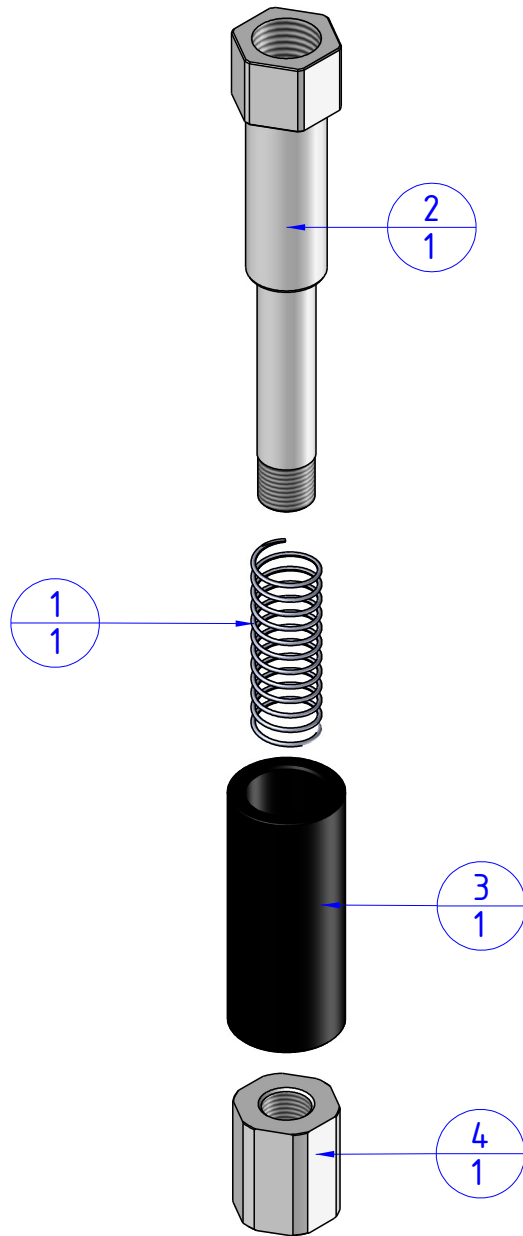


THE PROPERTY OF THE DRAWING IS ESTABLISHED BY LAW. IT IS FORBIDDEN TO PRODUCE OR SHOW IT TO THIRD PART. WITHOUT A WRITTEN AGREEMENT.

Item	Name	Q.ty
1	M.12X39.50	1
2	SDR.2025.01.14	1
3	SDR.2025.02	1
4	VSN.20.1.14	1



DESIGNED FROM FP SERVICES		REVIEW A
DATE 11/02/2019	WEIGHT 0,056kg	
CODE CA.SDR.2025.14		

Format A4
UNI 936-76

GENERAL TOLERANCE
UNI - ISO 2768
CLASSE f

DESCRIPTION
CA.SDR.2025.14